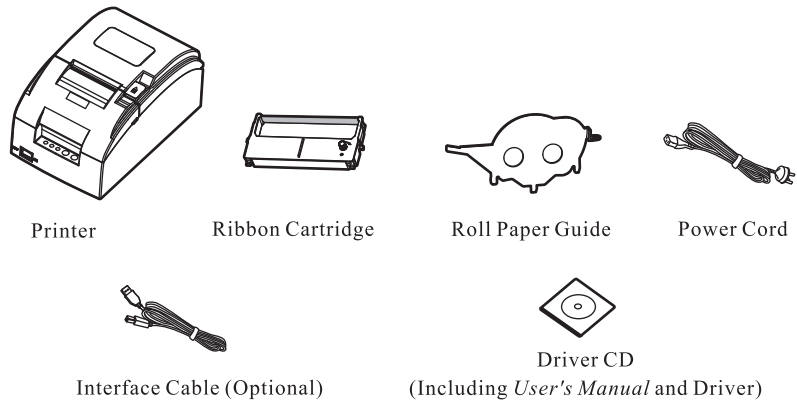


Read all of these instructions carefully before using the printer.

## 1. Unpacking & Checking



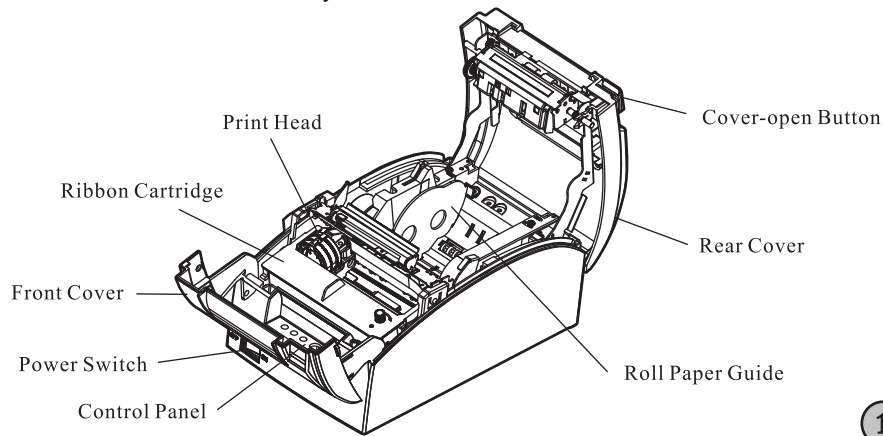
**Note:** 1. This serial products are classified into the model without auto-cutter assembly and the model with auto-cutter assembly, the product model has been confirmed before leaving the factory, it can not be changed in client side.  
2. Models with Bluetooth and Wi-Fi are not equipped with data interface cable.

## 2. Removing the Protective Materials

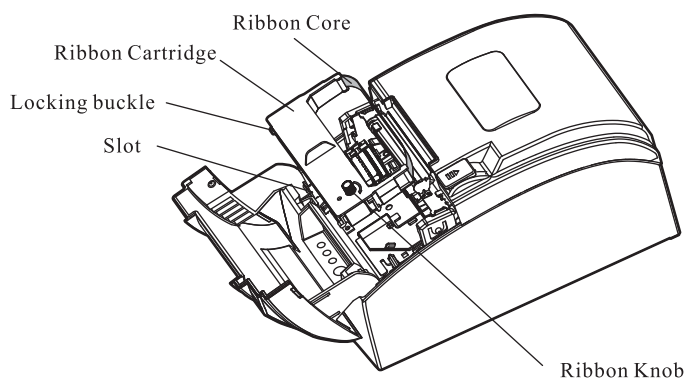
1. Open the packing box, take out the printer.
2. Save all the original packing materials so that they can be used when transporting the printer.

## 3. Main Parts of the Printer

Without auto-cutter assembly



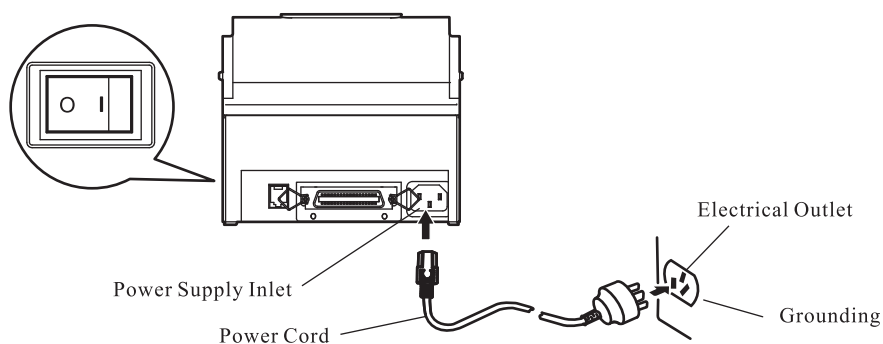
1



**Note:** 1. When your print becomes faint, you need to replace the ribbon cartridge. Otherwise, the print quality will be affected and the print head may be damaged.  
2. To remove the old ribbon cartridge, first make sure the power is turned off, then hold the bottom part of the ribbon cartridge with your middle finger, make the buckle separate from the slot, then take out the ribbon cartridge. Install a new one as the above steps.  
3. Please use the original ribbon cartridge only. Manufacturer will not honor warranty when using unauthorized ribbon cartridge.  
4. Please turn the ribbon knob in the direction as the arrow shown.

## 5. Connecting the Power Cord

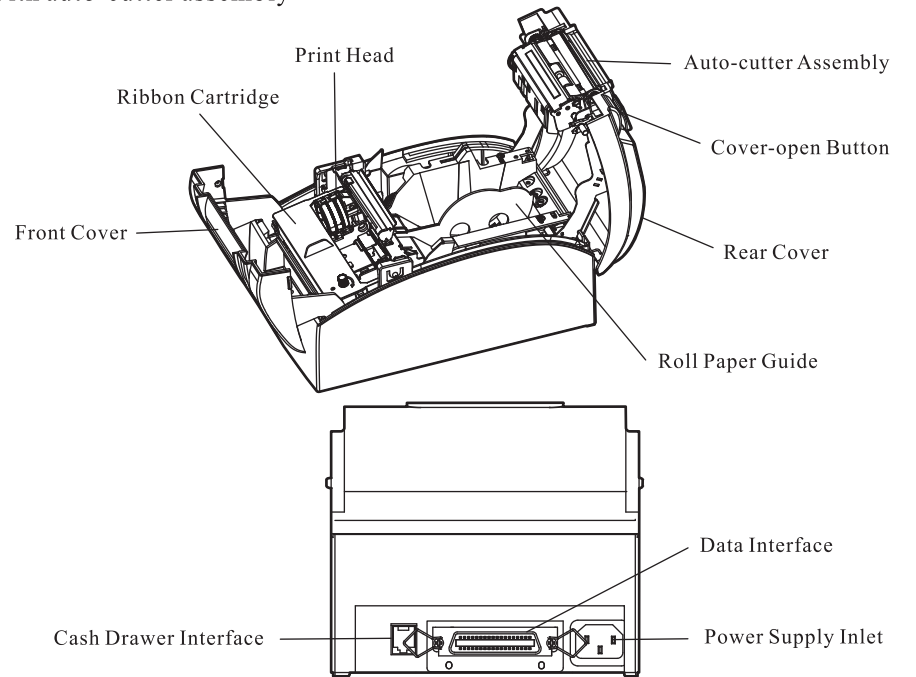
1. Make sure the printer is turned off. (The pressed down side of the power switch with "O" mark denotes the printer is off.)
2. Make sure the voltage required by the printer matches that of the electrical outlet.
3. Plug one end of the power cord into the printer's power supply inlet.
4. Plug the other end of the power cord into the well grounding electrical outlet.



**Note:** 1. If the rated voltage and your outlet voltage do not match, do not plug the power cord to electrical outlet, and contact your dealer for assistance.  
2. Use the electrical outlet which connects the ground properly.

3

With auto-cutter assembly



**Note:** 1. Please take the specific interface as standard.  
2. Please contact the local dealer to change the interface with added expense if needed. The detailed information of Ethernet interface, Bluetooth and Wi-Fi, please refer to the *User's Manual*.

## 4. Installing the Ribbon Cartridge

1. Make sure the printer is turned off.

**Note:** Don't replace the ribbon cartridge when the power is on, or else, the printer may start to work suddenly and you may get hurt.

2. Pull the projections on both sides of the front cover upwards to open the front cover.
3. Take out the ribbon cartridge, turn the ribbon knob in the direction shown by the arrow to tighten the ribbon.
4. Place the ribbon cartridge into the printer and make the printer oblique backwards slightly. Push the ribbon cartridge down until the ribbon core is locked in place.
5. Turn the ribbon knob in the direction shown by the arrow again to tighten the ribbon.
6. Close the front cover and the installation is finished.

**Caution:** Don't move the print head when the printer is powered on, or else, it may damage the printer. Moreover, don't touch the print head if the printer has just been recently used as the print head may be hot.

2

## 6. Connecting to the Computer

This printer can be equipped with one cash drawer interface and a data interface (you can select parallel interface, USB interface, USB interface + Serial interface, USB interface + Ethernet interface, USB interface + Serial interface + Ethernet interface, USB interface + Bluetooth, Wi-Fi interface, or USB interface + Wi-Fi). Connect the printer to the computer with correct cables.

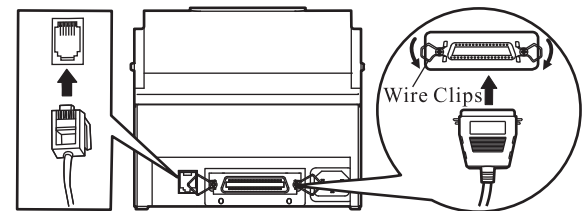
### Connecting the Cash Drawer Cable

Make sure the printer is turned off. Plug one end of the cable into the cash drawer interface of the printer and the other end to cash drawer.

**Note:** You must use the proper cash drawer. Manufacturer will not honor warranty when using improper cash drawer. See details in *User's Manual*.

### Connecting the Parallel Cable

1. Make sure that the computer and the printer are both turned off, connect the parallel cable to the parallel interface of the printer, and then fasten the wire clips.
2. Connect the other end of the cable to the computer's parallel interface, tighten the screws on both sides.



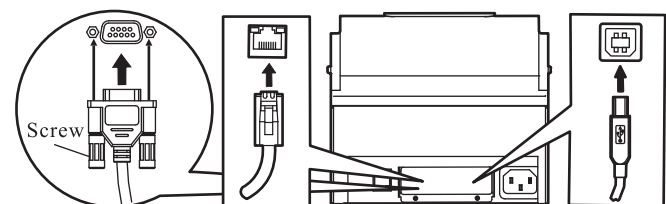
### Connecting the USB Cable

1. Plug the USB cable A end (flat shape) into the computer's USB interface.
2. Plug the USB cable B end (square shape) into the printer's USB interface.

**Note:** Please don't impact the plug after connecting the USB cable.

### Connecting the Serial Cable:

1. Make sure the computer and the printer are both turned off, connect one end of the serial cable to the serial interface of the printer. Tighten the screws and make the connector fixed.
2. Connect the other end of the cable to the computer's serial interface and tighten the screws to make the cable fixed.



### Connecting the Ethernet Cable

Plug the crystal end of the Ethernet cable (RJ-45) into the printer's Ethernet interface, and then, plug the other end into the LAN's entrance.

**Caution:** Before connecting or disconnecting the cash drawer interface, parallel interface or serial interface, you should make sure that the power of the printer is turned off. Only after tightening the cable could you turn on the printer, or else, it may damage the printer.

4

## 7. Installing the Driver

Please use the interface cable to connect computer with printer, then turn on the computer and the printer, put the driver CD into the CD-ROM, install driver by the following way.

### Auto-installing way

Double click the file "Setup.exe" in the driver disc, install driver by the installation guide.

### Hand operated installing way

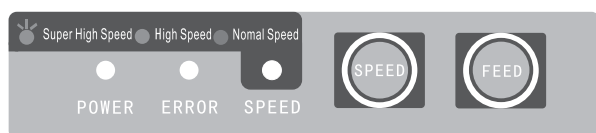
The hand-operated installing steps of parallel interface on windows 2000/XP/Vista/Win7 system are as follows, please refer to the *User's Manual* about other systems.

1. Click "Start" → "Settings", select "Printers".
2. Click "Add Printer", then a window of "Add Printer Wizard" pops up, click "Next", then please read the select guide carefully, for instance, select "Local printer" in the "Local or Network Printer" window, then click "Next".
3. A window of "Select the Printer Port" pops up, select "LPT1: (the recommended printer port)", click "Next".
4. A window of "eInstall Printer Software" pops up, click "Install From Disk".
5. A window of "Install From Disk" pops up. Please according to the operating system environment you should select the path as follows: CD-ROM → "Drivers" → "WIN2000(XP-Vista-Win7)", click "Open", then click "OK", go back to "Install Printer Software", and then click "Next".
6. Follow the guide and click "Next" gradually till the installation is finished.

**Note:** Please refer to the *User's Manual* for the installation ways of the other Windows systems.

## 8. Control Panel

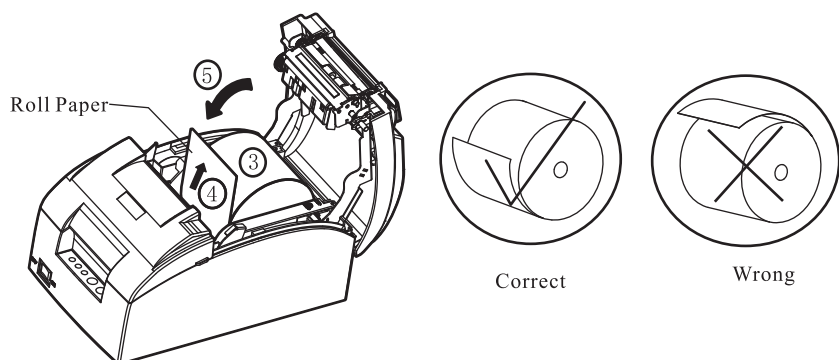
There are three indicator LEDs and two keys on the control panel (as shown below).



### LED State

LED	Off	On	Blink
POWER	Power off	Power on	---
ERROR	Normal status	Error occurs	Paper out
SPEED	Normal speed printing	High speed printing	Super high speed printing

5



3. Close the rear cover and the installation is finished.

## 10. Paper Specification

**Note:** 1. To guarantee the print quality, please ensure the contents are all within printable area.  
2. Please read the *User's Manual* for details about the paper specifications.

## 11. Problems and Solutions

### (1) Turn on the printer, all LEDs are off, and printer has no action.

Make sure that the printer is connected to the power, and check whether the two ends of the power cord are connected properly. If it still can not work, plug another electrical device into the outlet to check whether the outlet works properly.

### (2) Self-test is normal, but online printing is disabled.

- ① Please make sure that the printer is connected with the computer correctly and the paper is already loaded.
- ② If it still can't print in online mode, please replace the interface cable with a new one.

### (3) Paper out

Phenomenon: ERROR LED blinks and POWER LED is on but printer cannot print; or when the printer stops working during printing, the ERROR LED blinks and POWER LED is on.

Reason: Paper out

Solution: Install the roll paper again.

### (4) Print head overheating protection

Phenomenon: The print head moves, but prints nothing, POWER LED blinks, ERROR LED is on.

Reason: The temperature of the print head is too hot, and it enters the protection state.

Solution: Please wait patiently; the print head will work automatically after cooling.

### (5) Malfunction occurs in auto-cutter.

Phenomenon: POWER LED and ERROR LED blink alternately.

Reason: Auto-cutter is restored incorrectly.

7

## Function Keys

**SPEED key:** After the printer is turned on, pressing SPEED key can switch among normal speed printing mode, high speed printing mode and super high speed printing mode.

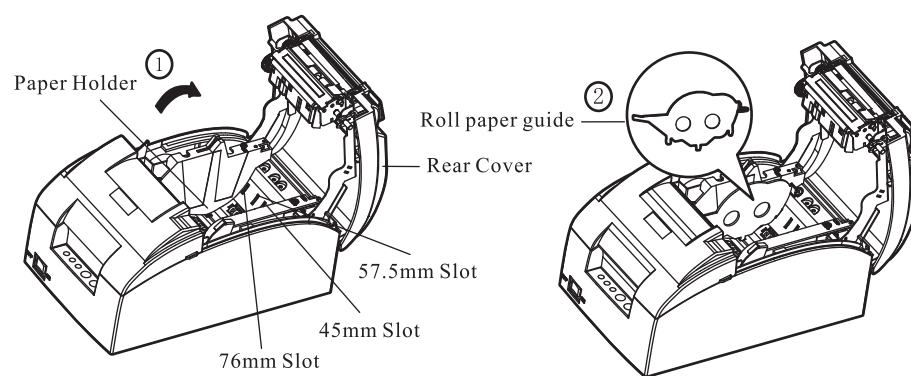
While pressing the FEED key and holding on, turn on the printer at the same time, the printer will enter into the function mode. Loosen the FEED key according to beeping times, and the printer will perform the following functions correspondingly.

Beeping times	Description
One beep	Mixed self-test of Chinese and English
Two beeps	Pin test
Three beeps	Current menu setting printing
Four beeps	Hex dump mode
Five beeps	Restoring factory default setting
Six beeps	MTBF self-test printing aging
Seven beeps	English self-test
Eight beeps	Dynamic aging

## 9. Paper Loading

The printer can use the papers with the width of 45±0.5mm, 57.5±0.5mm, 76±0.5mm or 80±0.5mm.

1. Push the cover-open button to open the rear cover. If you want to use 45±0.5mm, 57.5±0.5mm or 76±0.5mm paper to print, you must install the roll paper guide.



2. Place the roll paper into the paper holder. Pull the paper head with your hand.

**Note:** Paper head should be placed above and pulled out upwards, but not the opposite.

6

Solution: Restart the printer, the auto-cutter will be restored automatically; if the malfunction still exists, please contact the service center.

### (6) The rear cover is opened or is not closed properly.

Phenomenon: POWER LED and ERROR LED blink simultaneously.

Reason: The rear cover is opened or is not closed properly.

Solution: Close the cover tightly

### (7) Print quality

① Phenomenon: The printer can't print at all.

Solution: 1. Check whether the ribbon cartridge is installed or not.

2. Make sure that the interface cable is connected correctly.

② Phenomenon: The printed characters are faint.

Solution: Remove the ribbon cartridge and turn the ribbon knob, then install it again. If the printed characters are still faint, please replace a new one.

③ Phenomenon: Only one character is printed in one line, or the spacing between characters is too large.

Solution: Initialize the printer and make it restore to factory default setting.

Method: Pressing the FEED key, and turn on the printer at the same time, when the printer beeps five times, loosen the FEED key, the printer is initialized automatically.

### (8) Print character

Phenomenon: The printer can't print the appropriate characters.

Solution: Make sure the driver is installed correctly, and the character font set by the application is what you need.

## 12. Printer Maintenance

### Cleaning periodically and the cleaning tool

Periodically cleaning: every 3 months or every 300 working hours once.

Cleaning tool: dry cloth (please use soft cloth to clean metal parts.)

### Cleaning the paper feed path and the parts under carriage

Wipe off wasted paper and clean dirt and dust.

### Cleaning the carriage shaft

There is a layer of oil covering on the carriage shaft which guarantees the carriage runs smoothly. But the oil is easy to absorb dust, please clean the dust with soft cloth first, and then add proper lube, move print head back and forth to make lube scattered evenly.

**Note:** 1. Turn off printer and pull out the power cord before cleaning.

2. Being used under dust circumstance, the carriage shaft may stack much dust and affect the print quality. Therefore, please shorten the cleaning period.

3. The temperature of print head and the surrounding part may be high after using. Please avoid cleaning it at the moment.

4. Don't use hard cloth or combustible solvent to clean the printer.

8

The information of this product is subject to change without notice. Except for the ordain of law or statute, our company assumes no responsibility for damages resulting from the use of the information contained herein, and our company reserves the right of final explanation.