

SK-100

Self-Services Kiosk

Slim and Powerful

Self-Services Kiosk is specialised machine designed and built for your customers to transact with your services without any staff presence.

SK-100 Self-Services Kiosk can be automated such as ticket selling, food ordering, bill payment or others.

Most clients deploy our kiosks to extend their customer service hours to 24x7 with low support cost, expand sales points at High Traffic Areas to increase customers satisfaction and this may help to boost sales or revenue.



*Optional stand

SK-100

Specification

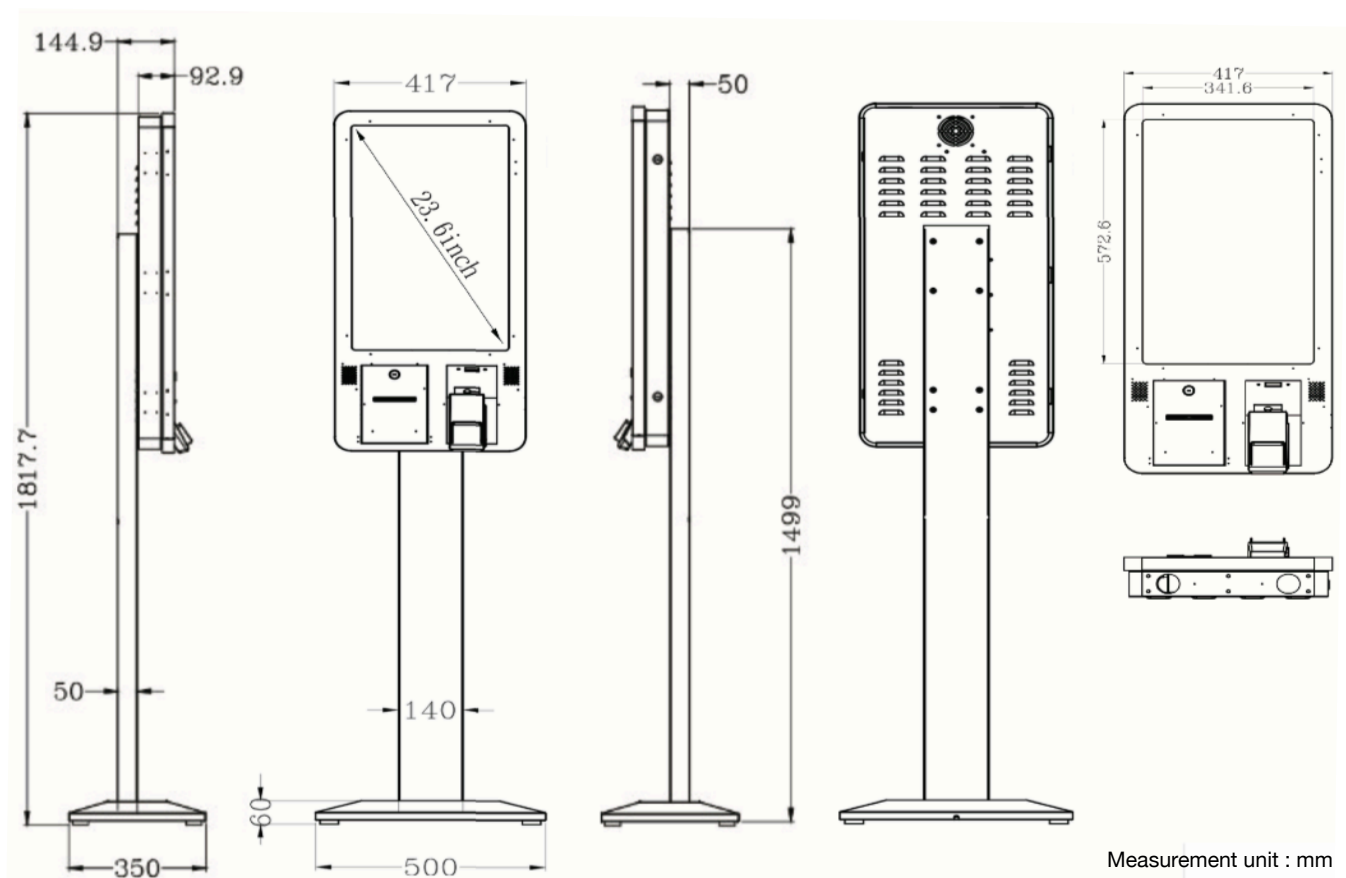
CPU	Intel Celeron J1900, Intel Core i5 or Intel Core i7
Memory	4GB
Storage	64 / 128GB SSD
OS	Windows 7, Windows 8, Windows 8.1, Windows 10 IoT Enterprise and POSReady 7
Interface	4 x USB 2.0, 3 x USB 2.0, 1 x USB3.0, 2 x RS232(DB9), 1 x LAN
Audio	Realtek ALC662-VD0
Display	23.6 inch TFT LCD, LED Backlight Projective Capacitive Touch Panel
Resolution	1920 x 1080
Brightness	250 cd/m2
Environment	Working Temperature : 0°C ~ 60°C Storage Temperature : -20°C ~ 80°C

Scanner

Image Sensor	CMOS
Decoding Capability	1D / 2D
Interface	USB

Thermal Printer

Type	80mm Thermal Printer
Printing	Direct Thermal
Paper	Easy Paper Loading
Paper Width	79.5±0.5mm
Interface	USB



[Notice] : Specification are subject to change without notice

Code Soft International Information Co. Ltd.

For more information : www.code-soft.com

Room 319, Block C, The NEW Generation Info Tech Park, Chuangye Road, No.139, Bao'An District, Shenzhen, P.R.China.

©Codesoft 2019